

FICHE TECHNIQUE - SPEC SHEET

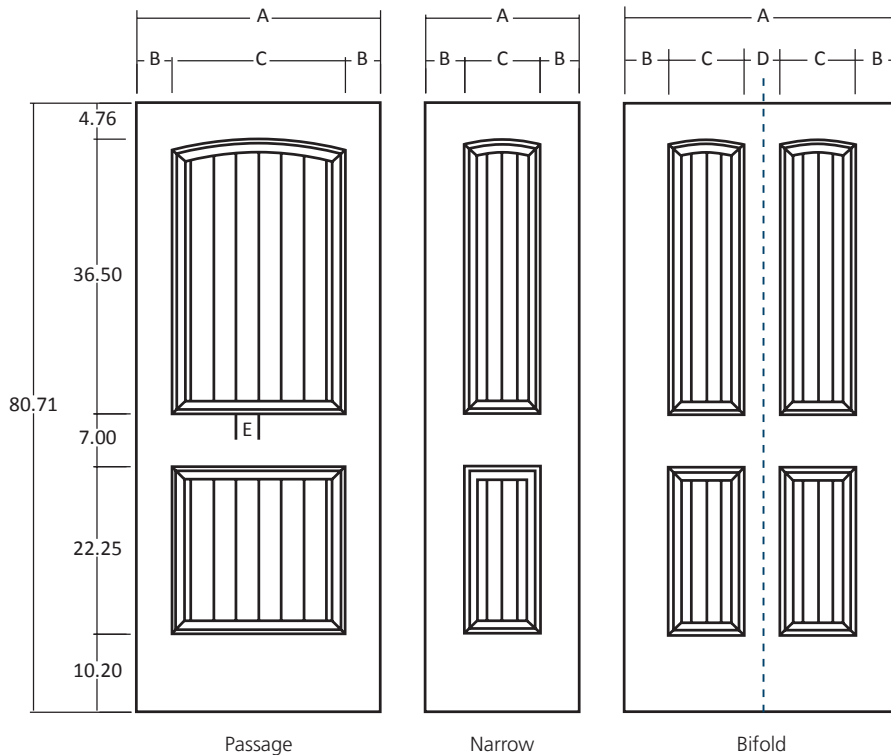


INTERMAT
PORTES, ESCALIERS ET BOISERIES

Porte de Masonite / Masonite Door

Modèle / Model

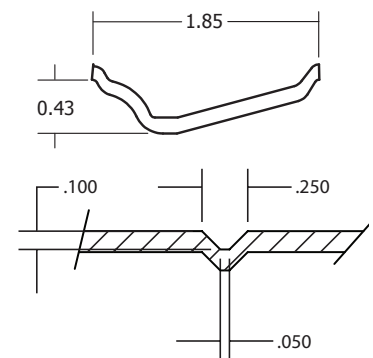
253 SANTA FE 6'8"



Santa Fe Smooth

Smooth | 6'8"

Ovolo Sticking



Plank and Groove Detail

Santa Fe Smooth | Smooth | 6'8"

Moulded Door Design (Door Facing) Sizes. Overall length and width dimensions +/- 1/16".

Nominal	A	B	C	D	E	Number of Planks
36	36.378	6.189	24.000	--	2.75	8
34	34.370	5.185	24.000	--	2.75	8
32	32.362	4.681	23.000	--	2.75	8
30	30.394	4.697	21.000	--	2.75	6
28	28.386	5.193	18.000	--	2.75	6
26	26.378	4.189	18.000	--	2.75	6
24	24.370	5.185	14.000	--	2.75	4
22	22.362	4.181	14.000	--	2.75	4
20	20.394	5.197	10.000	--	1.75	4
18	18.386	4.193	10.000	--	1.75	4
16	16.378	4.689	7.000	--	1.53	2
15	15.394	4.197	7.000	--	1.53	2
14	14.370	3.685	7.000	--	1.53	2
12	12.362	2.681	7.000	--	1.53	2
18/18 B	36.378	5.814	10.000	4.750	1.75	4
16/16 B	32.362	3.806	10.000	4.750	1.75	4
15/15 B	30.394	4.822	8.000	4.750	1.06	3
14/14 B	28.386	3.818	8.000	4.750	1.06	3
12/12 B	24.370	4.310	6.000	3.750	1.03	--

FICHE TECHNIQUE - SPEC SHEET

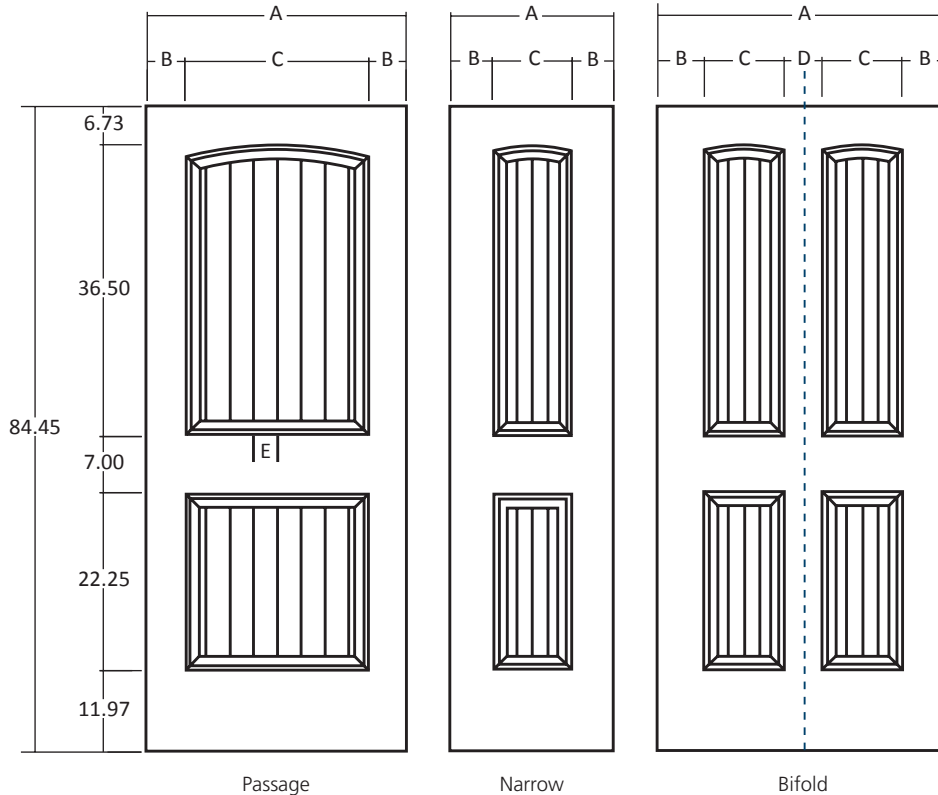


INTERMAT
PORTES, ESCALIERS ET BOISERIES

Porte de Masonite / Masonite Door

Modèle / Model

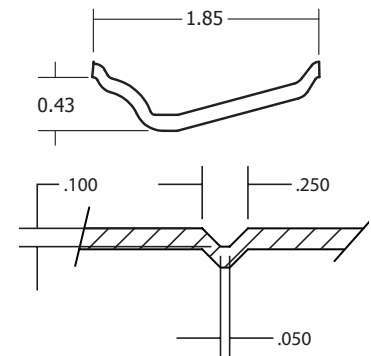
253 SANTA FE 7'



Santa Fe Smooth

Smooth | 7'0"

Ovolo Sticking



Plank and Groove Detail

Santa Fe Smooth | Smooth | 7'0"

Moulded Door Design (Door Facing) Sizes. Overall length and width dimensions +/- 1/16".

Nominal	A	B	C	D	E	Number of Planks
36	36.378	6.189	24.000	--	2.75	8
34	34.370	5.185	24.000	--	2.75	8
32	32.362	4.681	23.000	--	2.75	8
30	30.394	4.697	21.000	--	2.75	6
28	28.386	5.193	18.000	--	2.75	6
26	26.378	4.189	18.000	--	2.75	6
24	24.370	5.185	14.000	--	2.75	4
22	22.362	4.181	14.000	--	2.75	4
20	20.394	5.197	10.000	--	1.75	4
18	18.386	4.193	10.000	--	1.75	4
16	16.378	4.689	7.000	--	1.53	2
15	15.394	4.197	7.000	--	1.53	2
14	14.370	3.685	7.000	--	1.53	2
12	12.362	2.681	7.000	--	1.53	2
18/18 B	36.378	5.814	10.000	4.750	1.75	4
16/16 B	32.362	3.806	10.000	4.750	1.75	4
15/15 B	30.394	4.822	8.000	4.750	1.06	3
14/14 B	28.386	3.818	8.000	4.750	1.06	3
12/12 B	24.370	4.310	6.000	3.750	1.03	2

FICHE TECHNIQUE - SPEC SHEET

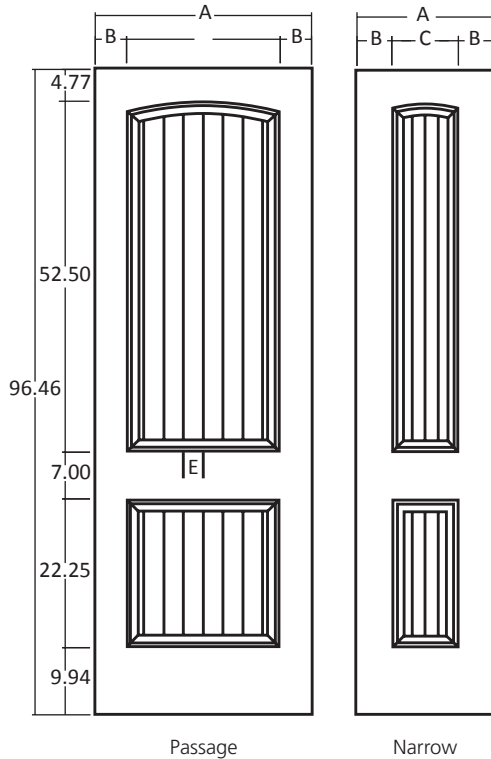


INTERMAT
PORTES, ESCALIERS ET BOISERIES

Porte de Masonite / Masonite Door

Modèle / Model

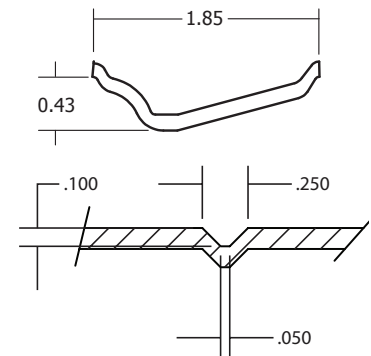
253 SANTA FE 8'



Santa Fe Smooth

Smooth | 8'0"

Ovolo Sticking



Plank and Groove Detail

Santa Fe Smooth | Smooth | 8'0"

Moulded Door Design (Door Facing) Sizes. Overall length and width dimensions +/- 1/16".

Nominal	A	B	C	D	E	Number of Planks
36	36.378	6.189	24.000	--	2.75	8
34	34.370	5.185	24.000	--	2.75	8
32	32.362	4.681	23.000	--	2.75	8
30	30.394	4.697	21.000	--	2.75	6
28	28.386	5.193	18.000	--	2.75	6
26	26.378	4.189	18.000	--	2.75	6
24	24.370	5.185	14.000	--	2.75	4
22	22.362	4.181	14.000	--	2.75	4
20	20.394	5.197	10.000	--	1.75	4
18	18.386	4.193	10.000	--	1.75	4
16	16.378	4.689	7.000	--	1.53	2
15	15.394	4.197	7.000	--	1.53	2
14	14.370	3.685	7.000	--	1.53	2
12	12.362	2.681	7.000	--	1.53	2