

# FICHE TECHNIQUE - SPEC SHEET

Quincaillerie / Hardware

Modèle / Model

**QUINTESSENCE**



**INTERMAT**  
PORTES, ESCALIERS ET BOISERIES



## Features:

- ▶ 45 degree latch retraction
- ▶ Heavy duty spring loaded reversible latch
- ▶ Push button auto release with privacy function
- ▶ Concealed screw mounting
- ▶ All metal construction
- ▶ Fits all standard 2 1/8" hole prepped doors
- ▶ Premium quality finishing
- ▶ Available in 2 3/8" and 2 3/4" backset
- ▶ 20 minute fire rating available
- ▶ Can be used with 1 3/8" and 1 3/4" thick doors
- ▶ Lifetime mechanical and finish warranty

## Finishes:

POLISHED CHROME  
PC



SATIN CHROME  
SC



SATIN NICKEL  
SN



# FICHE TECHNIQUE - SPEC SHEET

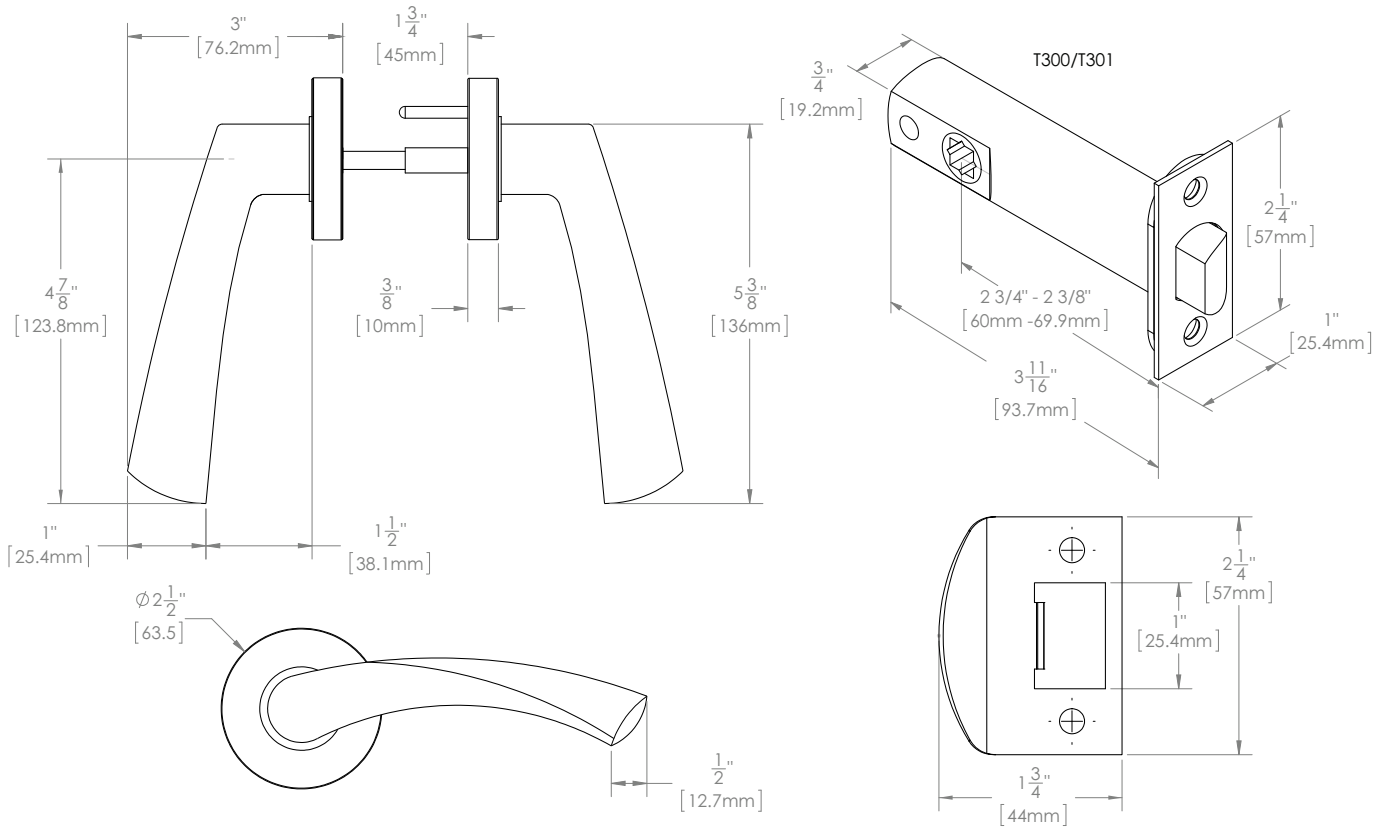


Quincaillerie / Hardware

**INTERMAT**  
PORTES, ESCALIERS ET BOISERIES

Modèle / Model

## QUINTESSANCE



FUNCTION	BACKSET	POLISHED CHROME PC	SATIN CHROME SC	SATIN NICKEL SN
PASSAGE	2 3/8" BS	VA51R21-T300-PC	VA51R21-T300-SC	VA51R21-T300-SN
PASSAGE	2 3/4" BS	VA51R21-T301-PC	VA51R21-T301-SC	VA51R21-T301-SN
PRIVACY	2 3/8" BS	VA51R21-T340-PC	VA51R21-T340-SC	VA51R21-T340-SN
PRIVACY	2 3/4" BS	VA51R21-T341-PC	VA51R21-T341-SC	VA51R21-T341-SN
DBLD		VA51R21-D390-PC	VA51R21-D390-SC	VA51R21-D390-SN
SGLD		VA51R21-D385-PC	VA51R21-D385-SC	VA51R21-D385-SN