

# FICHE TECHNIQUE - SPEC SHEET



**INTERMAT**  
PORTES, ESCALIERS ET BOISERIES

Quincaillerie / Hardware

Modèle / Model

**VEDANI**



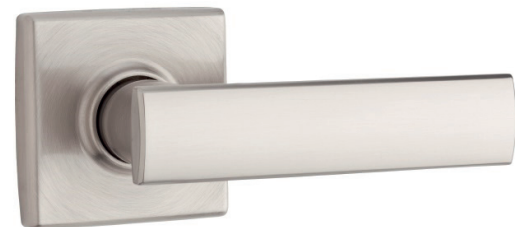
HALL/CLOSET



BED/BATH



KEYED ENTRY



INACTIVE

## SPECIFICATIONS

<b>DOOR PREP</b>	Cross Bore 2-1/8" Edge Bore 1" Latch Face 1"x2-1/4"
<b>BACKSET</b>	Adjustable to 2-3/8" or 2-3/4" UL 2-3/4" standard 2-3/8" optional
<b>DOOR THICKNESS</b>	1-3/8"-1-3/4" doors standard thickness 2-1/4" doors optional on GLA101 and GLA535
<b>CYLINDER</b>	Standard SmartKey
<b>FACEPLATE</b>	1"x2-1/4" Square, radius corner and drive-in standard
<b>STRIKES</b>	2-1/4" full lip. Specify round corner or square corner Other options available
<b>BOLT</b>	1/2" throw. Nickel plated
<b>DOOR HANDING</b>	Specify handing only with Inactive levers
<b>ANSI/BHMA</b>	A156.2 Grade 2
<b>ADA</b>	Functions GLA 101, GLA 12 satisfies section 4.13.9 ADA requirement
<b>UL AVAILABILITY</b>	Meets 3 hour fire rating for all UL functions when fronted latches used Meets 20 minute with drive-in latch
<b>ASTM</b>	All Weiser product meets ASTM E 331 water penetration testing

# FICHE TECHNIQUE - SPEC SHEET

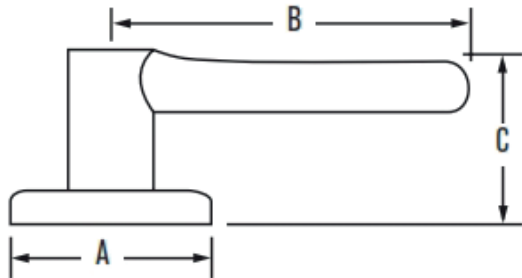


**INTERMAT**  
PORTES, ESCALIERS ET BOISERIES

Quincaillerie / Hardware

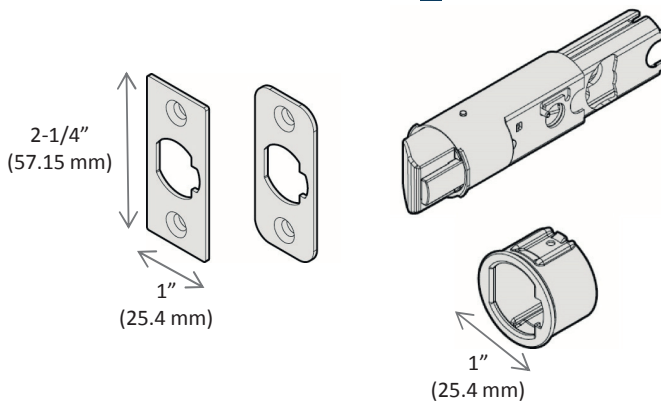
Modèle / Model

**VEDANI**



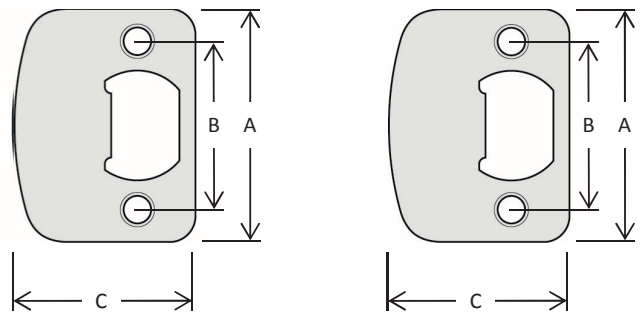
	A	B	C	C (Keyed)
Vedani Square Rose	2-5/8"	4-1/4"	2-15/32"	2-3/4"

## 6-WAY ADJUSTABLE LATCH



## FULL LIP SQUARE CORNER

## FULL LIP RADIUS CORNER



<b>A</b>	2-1/4" (57.15 mm)
<b>B</b>	1-5/8" (41.275 mm)
<b>C</b>	1-3/4" (44.45 mm)

## PRODUCT AVAILABILITY



VENETIAN BRONZE SATIN NICKEL POLISHED CHROME SATIN CHROME

		20 min.	3 Hour	Venetian Bronze	Satin Nickel	Polished Chrome	Satin Chrome
Passage	GLA101 VDL SQT	<input type="checkbox"/>	<input type="checkbox"/>	<input type="checkbox"/>	<input type="checkbox"/>	<input type="checkbox"/>	<input type="checkbox"/>
Privacy	GLA331 VDL SQT	<input type="checkbox"/>	<input type="checkbox"/>	<input type="checkbox"/>	<input type="checkbox"/>	<input type="checkbox"/>	<input type="checkbox"/>
Entry	GLA535 VDL SQT	<input type="checkbox"/>	<input type="checkbox"/>	<input type="checkbox"/>	<input type="checkbox"/>	<input type="checkbox"/>	<input type="checkbox"/>
Inactive	GLA12 VDL SQT	<input type="checkbox"/>	<input type="checkbox"/>	<input type="checkbox"/>	<input type="checkbox"/>	<input type="checkbox"/>	<input type="checkbox"/>