

# FICHE TECHNIQUE - SPEC SHEET



## Quincaillerie / Hardware

Modèle / Model

# CIRCA / LINEA / FLAT / QUADRA

**INTERMAT**  
PORTES, ESCALIERS ET BOISERIES

### FEATURES

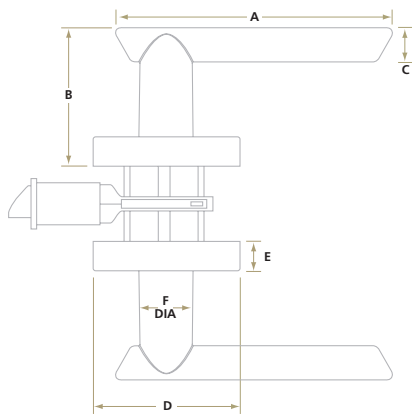
#### LEVERS

- ANSI Grade 3
- ADA compliant
- Fits 1 3/8" (35mm) to 2" (51mm) door thickness
- Kit available for 2 1/4" (57mm) door thickness
- Backset adjustable for 2 3/8" (60mm) or 2 3/4" (70mm)
- Stainless steel latch bolt available in drive-in or mortise type
- Full lip strike with 1/4" (6.4mm) radius corners
- Strikes for hollow metal frames available
- Zinc die-cast levers
- Concealed mounting screws
- Auto-release privacy function
- Lifetime mechanical warranty
- 10 year limited finish warranty
- cULus 20min fire can available (ordered with lockset)

#### DEADBOLTS

- Single cylinder with thumbturn
- Fits 1 3/8" (35mm) to 1 3/4" (44.5mm) door thickness
- Kit available for 2 1/4" (57mm) door thickness
- Available with Kwikset, Schlage "C" or Weiser keyways
- Backset adjustable for 2 3/8" (60mm) or 2 3/4" (70mm)
- Stainless steel deadbolt with hardened steel pin and 1" (25mm) throw
- Concealed mounting screws
- Lifetime mechanical warranty
- 10 year limited finish warranty
- cULus 20min fire can available (ordered with deadbolt)
- Strikes for wood or steel frames included

### LEVERS

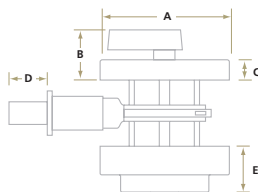


	MODEL NUMBER	TYPE	FUNCTION	FINISH	PER CASE	WEIGHT LBS / KG
CIRCA	100 10 CT	Tubular	Passage	15, 26, 26D	10	23.3 / 10.6
	100 42 CT		Privacy			24.4 / 11.1
	100 CT -5		Universal dummy		20	18.0 / 8.2
	DM-SR	Mortise	Refer to Dorex DM Series - p.02.010			
LINEA	100 10 LT / LTS	Tubular	Passage	15, 19, 26, 26D	10	23.3 / 10.6
	100 42 LT / LTS		Privacy			24.4 / 11.1
	100 LT -5 / LTS -5		Universal dummy		20	18.0 / 8.2
	DM-SL	Mortise	Refer to Dorex DM Series - p.02.010			
THE FLAT	100 10 FT / FTS	Tubular	Passage	15, 19*, 26, 26D	10	23.3 / 10.6
	100 42 FT / FTS		Privacy			24.4 / 11.1
	100 FT -5 / FTS -5		Universal dummy		20	18.0 / 8.2
	DM-SF	Mortise	Refer to Dorex DM Series - p.02.010			

\* Square rose (FTS) model only

MODEL NUMBER	A	B	C	D	E	F DIA
100CT	4 13/16 (122.3)	2 3/8 (60)	19/32 (15)	Ø 2 9/16 (64.5)	1/2 (12.7)	15/16 (23.2)
100LT/LTS	4 3/8 (111)		25/32 (20)			
100FT/FTS	4 3/4 (120)		37/64 (14.7)			

### DEADBOLTS



200TR / 200TS

MODEL NUMBER	FUNCTION	FINISH	PER CASE	WEIGHT LBS / KG
201 51 TR	Single Cylinder Weiser keyway	15, 19, 26, 26D	12	20.0 / 9.1
202 51 TR	Single Cylinder Schlage keyway			
200 51 TS	Single Cylinder Kwikset keyway	15, 19, 26, 26D	12	20.0 / 9.1
201 51 TS	Single Cylinder Weiser keyway			
202 51 TS	Single Cylinder Schlage keyway			

MODEL NUMBER	A	B	C	D	E
200TR	Ø 2 1/2 (64)	1 1/8 (29)	3/8 (9.5)	1 (25.4)	15/16 (23.8)
200TS	□ 2 9/16 (64.5)	1 3/16 (30.2)			

# FICHE TECHNIQUE - SPEC SHEET



Quincaillerie / Hardware

Modèle / Model

## CIRCA / LINEA / FLAT / QUADRA

**INTERMAT**  
PORTES, ESCALIERS ET BOISERIES

### ORDERING INFORMATION

<b>LEVERS</b>	<b>100*</b> SERIES	<b>10</b> FUNCTION	<b>FT</b> DESIGN	<b>15</b> FINISH	<b>M</b> LATCH
---------------	-----------------------	-----------------------	---------------------	---------------------	-------------------

<b>DEADBOLTS</b>	<b>201</b> SERIES	<b>51</b> FUNCTION	<b>TS</b> DESIGN	<b>26D</b> FINISH	<b>KD</b> KEYING	<b>V</b> BOLT
------------------	----------------------	-----------------------	---------------------	----------------------	---------------------	------------------

FUNCTION	
<b>10</b>	Passage
<b>42</b>	Privacy
DEADBOLT FUNCTION	
<b>51</b>	Single cylinder
DESIGN	
<b>CT</b>	Circa
<b>FT</b>	The Flat
<b>FTS</b>	The Flat with square rosette
<b>LT</b>	Linea
<b>LTS</b>	Linea with square rosette
<b>TR</b>	Giro (200 TR Series)
<b>TS</b>	Quadra (200 TS Series)

FINISH	
<b>15</b>	Satin Nickel
<b>19</b>	Matte Black
<b>26</b>	Bright Chrome
<b>26D</b>	Satin Chrome
LATCH / BOLT	
<b>M</b>	Mortise
<b>V</b>	Drive-in
DEADBOLT KEYWAY	
<b>200</b>	KW keyway
<b>201</b>	WR keyway
<b>202</b>	SC keyway
MOUNT OPTIONS <small>Levers only</small>	
<b>-5</b>	Universal Dummy

KEYING * Deadbolts only	
<b>CMK</b>	<b>Construction Master Keyed</b> In a CMK group, builder's key can open all individual locks during construction just like a master key. Homeowner's key, once operated, shuts out builder's key automatically.
<b>GMK</b>	<b>Grand Master Keyed</b> Each lock is keyed different in a group. Master key opens all locks in its own group but no other group. Grand master key opens all locks in all groups.
<b>MK</b>	<b>Master Keyed</b> Each lock in the group is keyed different. A master key opens all locks in that group but no other group.
<b>KA</b>	<b>Keyed alike</b> Keyed alike locks are all built to one key which operates all locks in the system.
<b>KD</b>	<b>Keyed Different</b> The key to any individual lock will operate that lock only and no other lock in the group.

#### \*MORTISE LOCK OPTION

Tecnica lever designs can also be found in the Dorex DM Series of mortise locks. Offering a wider variety of lock and keying options - perfect for office, government and residential complex development. Please speak to your local Dorex representative or refer to the Dorex DM Series catalogue page (p.02.010).

### FINISH / FUNCTION AVAILABILITY CHART

FINISH	15	19	26	26D
<b>CIRCA</b>	10, 42, -5	—	10, 42, -5	10, 42, -5
<b>THE FLAT</b>	10, 42, -5	—	10, 42, -5	10, 42, -5
<b>THE FLAT, SQUARE ROSETTE</b>	10, 42, -5	10, 42, -5	10, 42, -5	10, 42, -5
<b>LINEA</b>	10, 42, -5	10, 42, -5	10, 42, -5	10, 42, -5
<b>LINEA, SQUARE ROSETTE</b>	10, 42, -5	10, 42, -5	10, 42, -5	10, 42, -5

FINISH	15	19	26	26D
<b>200TR GIRO</b>	51	51	51	51
<b>200TS QUADRA</b>	51	51	51	51

### PARTS & ACCESSORIES

**FIRE CAN** Required for installation on 20 minute fire rated doors with 2 1/8" (54mm) cross bore (200 TR/TS series deadbolt)

**ASAC15** ASA Strike for hollow metal frame, available in satin nickel (C15) or stainless steel (C32D) finishes

**ASAC32D**

**TDK100TE** Lockset 2 1/4" (57mm) door thickness kit

**TLA85052** Deadbolt 2 1/4" (57mm) door thickness kit

**9102** Full lip strike with square corners (32D only)

**9106** T-Strike for hollow metal frame, available in satin nickel (C15) or stainless steel (C32D) finishes

Please refer to finish availability chart for in stock finishes. All finishes are available for volume special orders (allow a min. of 12 weeks for delivery). 10 year limited warranty on all finishes Lifetime mechanical warranty • Please refer to Dorex warranty conditions



# FICHE TECHNIQUE - SPEC SHEET

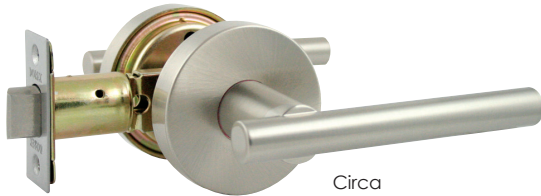


Quincaillerie / Hardware

**INTERMAT**  
PORTES, ESCALIERS ET BOISERIES

Modèle / Model

**CIRCA / LINEA / FLAT / QUADRA**



Circa



Linea



The Flat



© DOREX



200 TR  
GIRO



200 TS  
QUADRA