

FICHE TECHNIQUE - SPEC SHEET



Quincaillerie / Hardware

Modèle / Model

SPHINX

INTERMAT
PORTES, ESCALIERS ET BOISERIES



Features:

- ▶ 45 degree latch retraction
- ▶ Heavy duty spring loaded reversible latch
- ▶ Push button auto release with privacy function
- ▶ Concealed screw mounting
- ▶ All metal construction
- ▶ Fits all standard 2 1/8" hole prepped doors
- ▶ Premium quality finishing
- ▶ Available in 2 3/8" and 2 3/4" backset
- ▶ 20 minute fire rating available
- ▶ Can be used with 1 3/8" and 1 3/4" thick doors
- ▶ Lifetime mechanical and finish warranty

Finishes:

POLISHED CHROME
PC



SATIN CHROME
SC



SATIN NICKEL
SN



FICHE TECHNIQUE - SPEC SHEET



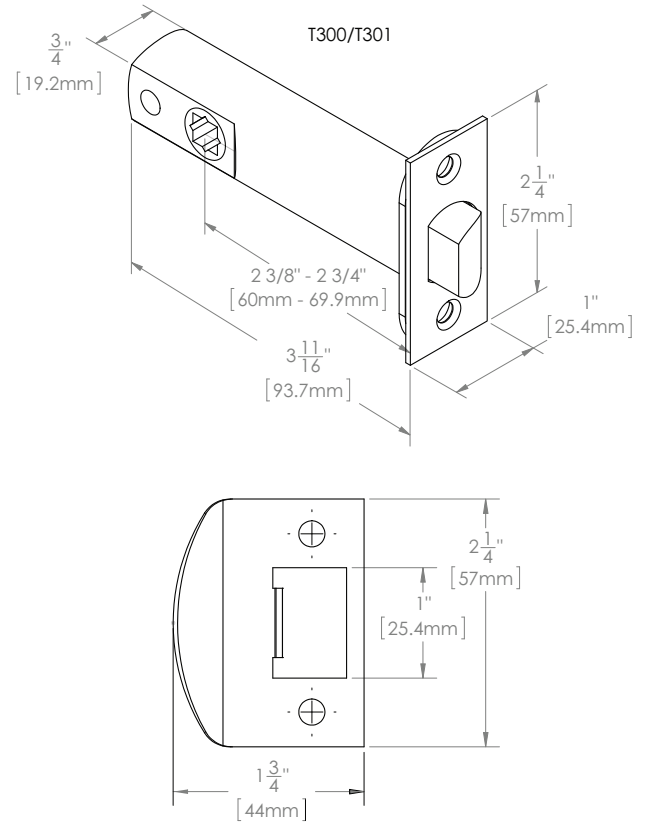
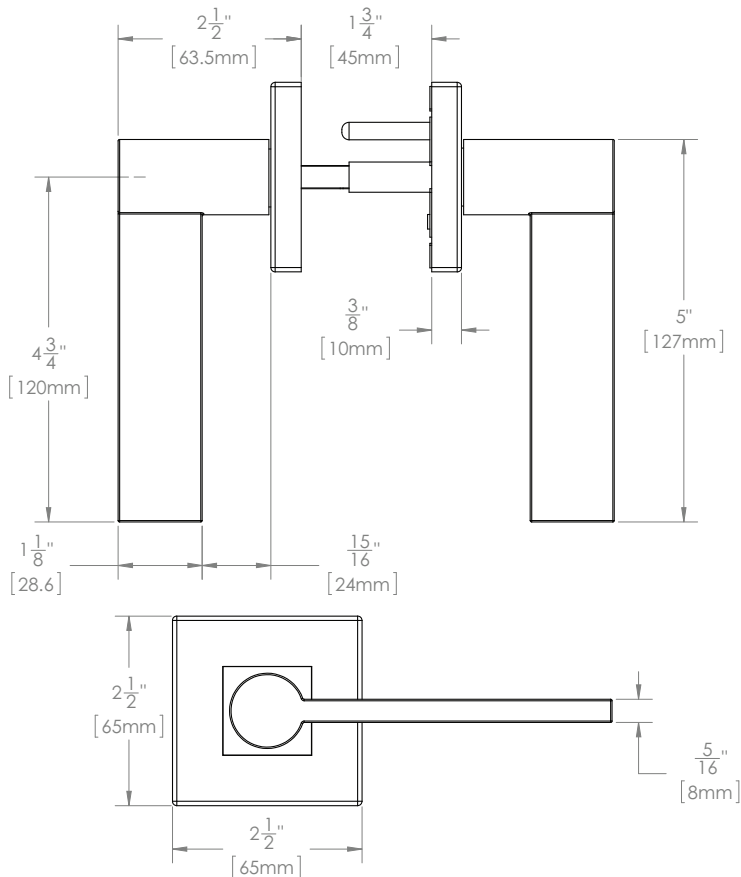
Quincaillerie / Hardware

Modèle / Model

SPHINX

INTERMAT

PORTES, ESCALIERS ET BOISERIES



:

FUNCTION	BACKSET	POLISHED CHROME PC	SATIN CHROME SC	SATIN NICKEL SN
PASSAGE	2 3/8" BS	HR46R20-T300-PC	HR46R20-T300-SC	HR46R20-T300-SN
PASSAGE	2 3/4" BS	HR46R20-T301-PC	HR46R20-T301-SC	HR46R20-T301-SN
PRIVACY	2 3/8" BS	HR46R20-T340-PC	HR46R20-T340-SC	HR46R20-T340-SN
PRIVACY	2 3/4" BS	HR46R20-T341-PC	HR46R20-T341-SC	HR46R20-T341-SN
DBLD		HR46R20-D390-PC	HR46R20-D390-SC	HR46R20-D390-SN
SGLD		HR46R20-D385-PC	HR46R20-D385-SC	HR46R20-D385-SN